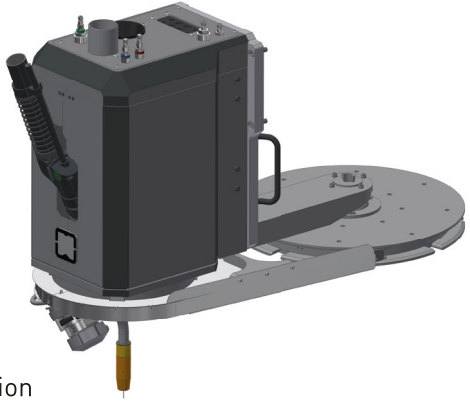


## Quality Monitoring Feature



### FEATURES

- Distance Control
- Integrated Extraction
- QM Feature High Speed Process Camera (up to 200 fps)
- 360° Rotation Axis (NC integrated)
- Digital and Analog Interface for Additional Sensors
- Control Software for Data Analysis

### GENERAL INFORMATION

- Feature for monitoring, recording, documentation and analysis of synchronized process data
- QM feature for 3DMP® includes an integrated camera with 360° autotracking function
- Documentation of each welded seam with all process data and process video
- Possibility to implement process control features based on gray scale analysis and/or process parameters